



# AERIGON MKII

## THE PROFESSIONAL CINEMA DRONE

**THE AERIGON BY INTUITIVE AERIAL** is an elite cinema drone system for professional cinematographers and broadcast specialists. The AERIGON's proprietary power distribution system and dual coaxial design with 12 powerful counter-rotating rotors and pre-preg carbon-fiber exoskeleton provides the power, precision and stability to carry the weight of sophisticated camera configurations with pro zoom lenses and full FIZ (Focus, Iris & Zoom) control.

**THE AERIGON'S INNOVATIVE DESIGN** absorbs vibrations, conceals and protects cables and electronics from external stress and its detachable arms provide operators the choice between power or endurance, depending on the environment, camera payload or the type of shot requested by the production. This same feature enables the AERIGON to be quickly deployed and be ready to go in under 10 minutes and packed down into a pair of road cases in just under 5.

**EXPERIENCED PILOTS WILL LOVE** the power and control the AERIGON provides for challenging maneuvers, while cinematographers and camera operators will appreciate the stability, precision and accuracy of the AERIGON Gimbal's proprietary advanced stabilization system.



### MAIN FEATURES

- ▶ Professional cinema UAS capable for complete cinema cameras, pro zoom lenses and full FIZ control.
- ▶ Light-weight and rugged carbon-fibre structure.
- ▶ Powerful and redundant propulsion system.
- ▶ Type certifiable and prepared for commercial UAS certification worldwide.
- ▶ Unique landing gear designed to protect professional camera and lens.
- ▶ Integrated connectors for camera and downlink.
- ▶ Travel-friendly workflow
- ▶ Unparalleled customer support.

### CONTACT

PHONE +46 13 99 13 990  
E-MAIL SALES@INTUITIVEAERIAL.COM

**INTUITIVE AERIAL AB (PUBL)**  
LOKSTALLSGATAN 8, SE - 582 73, LINKÖPING SWEDEN

**INTUITIVE AERIAL INC**  
20058 VENTURA BLVD. #255, WOODLAND HILLS, CA 91364, USA

**INTUITIVEAERIAL.COM**

---

## AERIGON HELICOPTER

### DIMENSIONS

The overall airframe diameter is 1510mm/59.5"

### PAYLOAD

(Endurance edition)  
6-13.5kg (13-28.6lbs)\*

### PAYLOAD

(Performance edition)  
6-16kg (13-35.2lbs)\*

### POWER

3xLithium-Ion Polymer 22.2 V (nominal) 10000 mAh rechargeable batteries or  
3x 16000 mAh 22.2 V

### FLIGHT TIME

7-15 minutes\* including reserves, depending on payload.

### FREQUENCY

2.4GHz FHSS

### TELEMETRY DATA

Temperature  
Battery Voltage

### WEIGHT (unloaded)

Endurance: 6.4kg/14.1lbs  
Performance: 8.1kg/17.9lbs

### MTOM (Endurance edition)

23kg/50lbs at MSL\*

### MTOM (Performance edition)

25kg/55lbs at MSL\*

### BATTERY CHARGING TIME

45 minutes per 6 batteries.

### OPERATIONAL CEILING

18.000ft / 5.500m\*

\* Performance charts available.

### SIGNAL RANGE

Up to 1000m

---

## AERIGON GIMBAL

### DIMENSIONS

Width 620mm/24.4"  
Height 610mm/24.0"  
Length 614mm/24.2"

### PAYLOAD

Minimum payload is 2kg/4.4lbs, with a maximum of 9kg/20lbs. Recommended focal length 24-60mm.

### POWER

1x Lithium-Ion Polymer 14-16V 4500mAh, 4-cell rechargeable battery.

### BATTERY LIFE

Approximately 15-45 minutes, depending on power consumption of attached equipment.

### FREQUENCY

2.4GHz FHSS

### SOFTWARE AND SETTINGS

Via USB or AERIGON GCC (Mac OSX and Windows)

### WEIGHT

4.2kg/9.3lbs unloaded.  
4.7kg/10.4lbs with battery.

### MAX PAYLOAD DIMENSIONS

The maximum camera package length behind center of gravity is 220mm/8.6".

### POWER OUTPUT

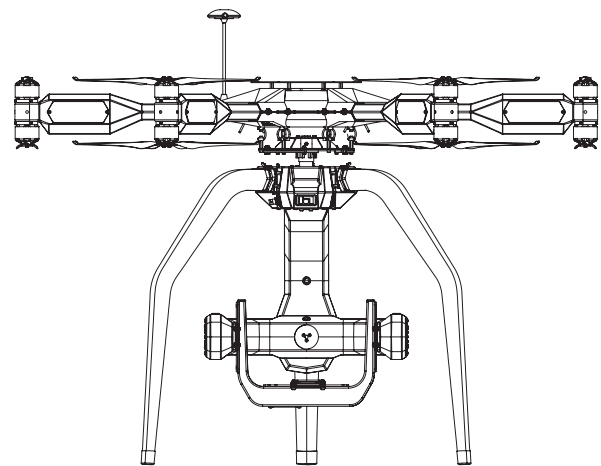
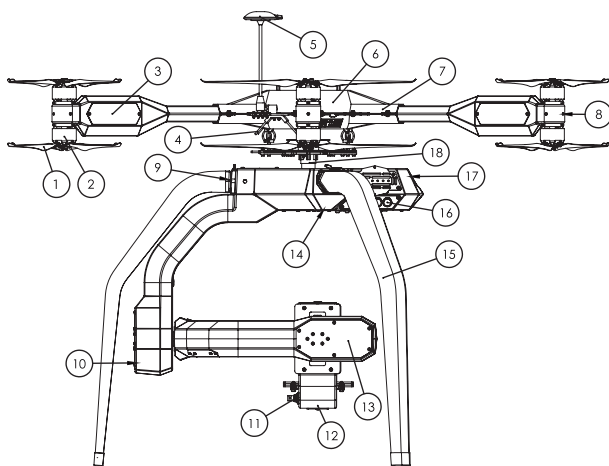
14-16V through 4-pin LEMO power out connections.  
1x on gimbal head, and 2x on gimbal body. Maximum total load 10A.

### CONNECTORS

1x IA-CAN connector  
1x HD-SDI passthrough  
1x HDMI to composite  
3x Power out (LEMO 1B)  
1x Composite/power out

### SIGNAL RANGE

Up to 1000m



- 1 Coaxially mounted carbon fibre propellers (18x6.1").
- 2 Brushless electrical motors.
- 3 Thermally cooled electronic speed controller.
- 4 Dual 2.4Ghz receivers.
- 5 GPS antenna and compass.
- 6 High performance power distribution system.

- 7 Detachable arms with integrated signal and power connectors.
- 8 LED navigation lights.
- 9 Quick-release leg attachment.
- 10 Antenna mount for video broadcast antennas.

- 11 Dual power connectors, HD-SDI in, built in HDMI to composite video converter.
- 12 High performance IMU with Intuitive Aerial proprietary stabilization technology.
- 13 Brushless motors with encoders.
- 14 Mounting brackets for video downlinks.

- 15 Protecting landing gear.
- 16 Power connectors, HD-SDI out, composite video out.
- 17 Equipment battery mounting.
- 18 Quick-release system for gimbal/payload attachment.